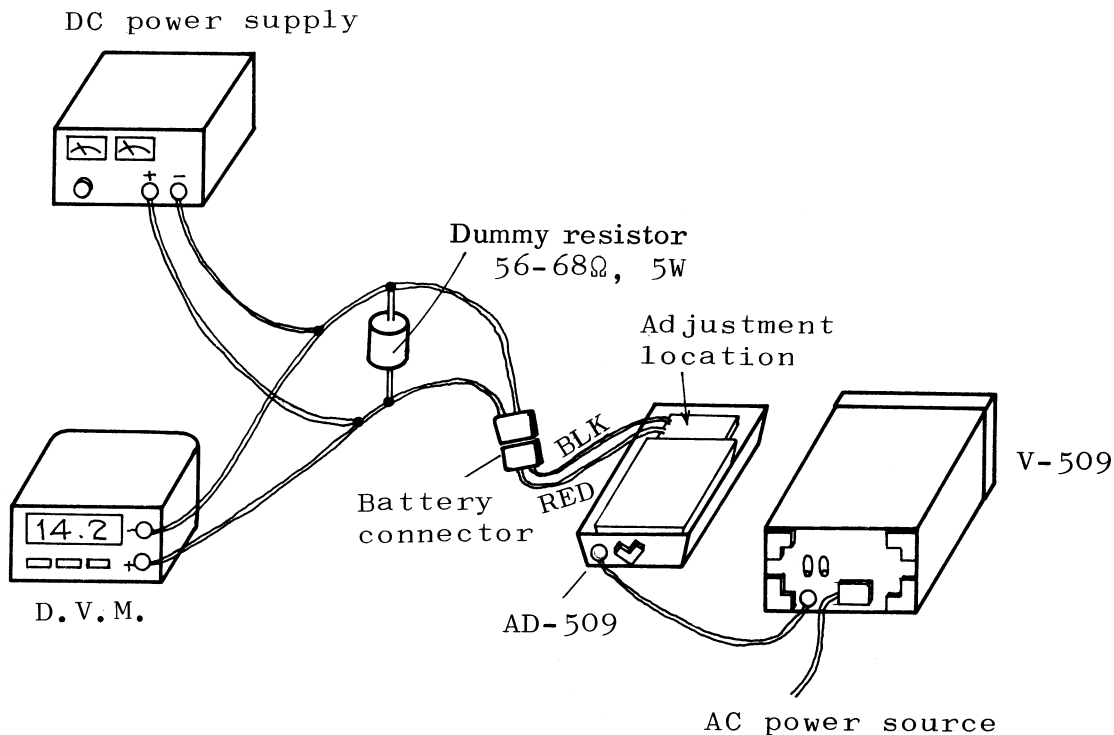
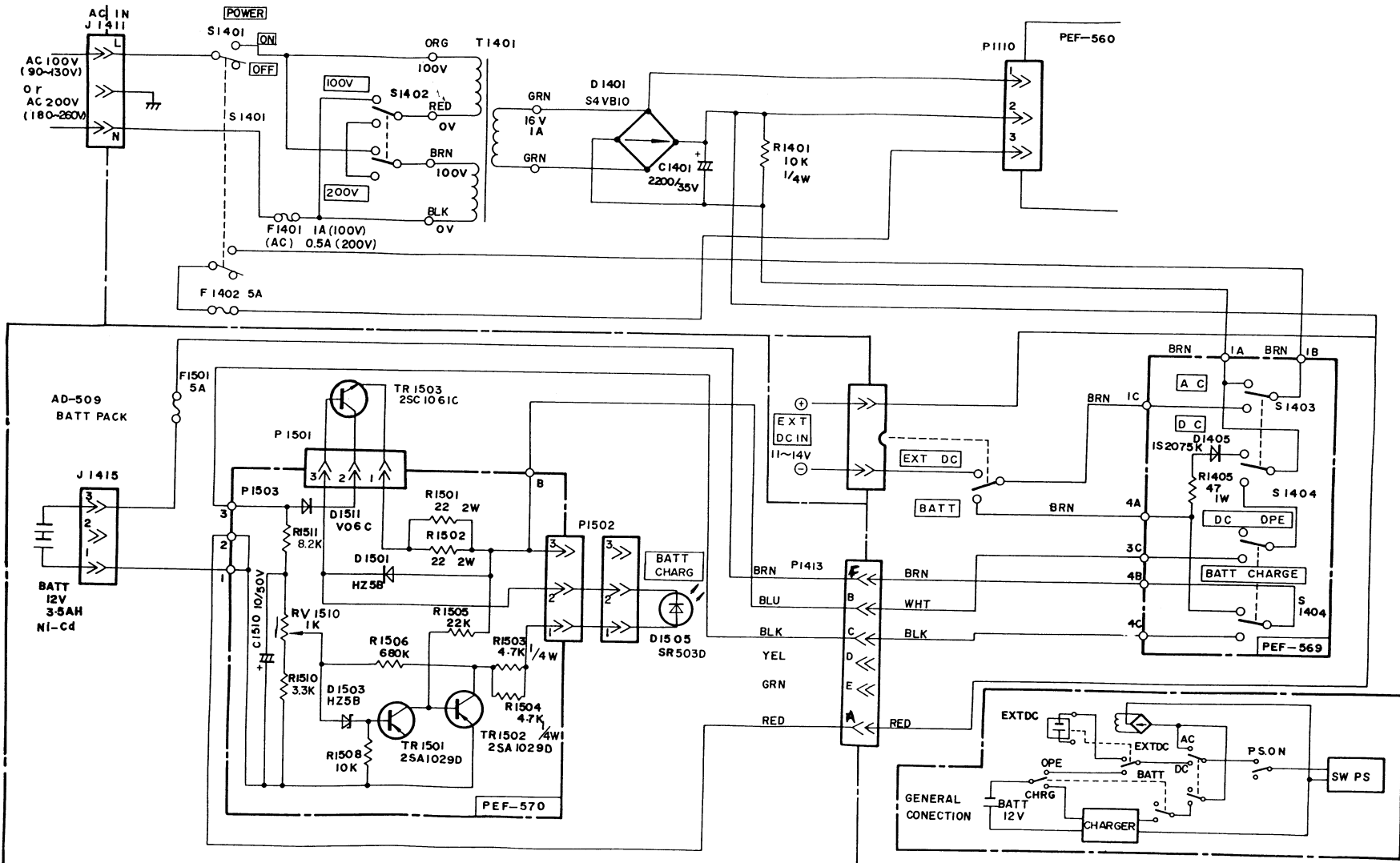


## AD-509 BATTERY CHARGER

Check/adjust the battery charger

- Connect the cable of AD-509 to the BATT INPUT connector.
- Connect the power supply, dummy resistor and digital voltmeter to the battery connector.
- Set the power source switch to the DC position and the charge-operation switch to the BATT CHARGE position.
- Set the voltage of the power supply to 14.2 V.
- Adjust RV1501 so that the CHARGE lamp becomes dim.  
(Prior to this adjustment check that the lamp is illuminated.)





CHASSIS/BATTERY CHARGER  
SCHEMATIC DIAGRAM